



**7 YEAR  
WARRANTY**

## **TUBULAR SKYLIGHT**

available in 3 sizes: • **353mm diameter**  
• **457mm diameter**  
• **535mm diameter**

- ✓ Utilise renewable energy
- ✓ Exceptional quality
- ✓ Reduce power costs
- ✓ Ideal for a home or office
- ✓ Easy installation
- ✓ Suitable for tile & steel roofs



The Sky Tunnel natural lighting system is ideal for light commercial properties and most residential dwellings. It is an energy saving product that provides natural light into your home, workshop or office. Easily installed, the Sky Tunnel system is complete with roof flashing and a 3m flexi-tube that enables it to be installed on to either a corrugated or tile roof and is compatible with most ceiling cavities.

The Sky Tunnel™ is available in 3 varying sizes. 353mm, 457mm or 535mm diameter ducting with an Acrylic dome. The Acrylic dome is impact resistant and UV stabilised with a visible light transmittance of 93%.

The Sky Tunnel™ can be installed onto almost any type of roof, including tile or profiled steel. The Sky Tunnel™ comes with everything you need for an easy installation.

Installation of a Sky Tunnel™ with a Flexi-tube™ is very easy as the flexibility allows the installation of the roof parts and ceiling parts to be off centre, so avoiding obstructions in the attic space is simple.

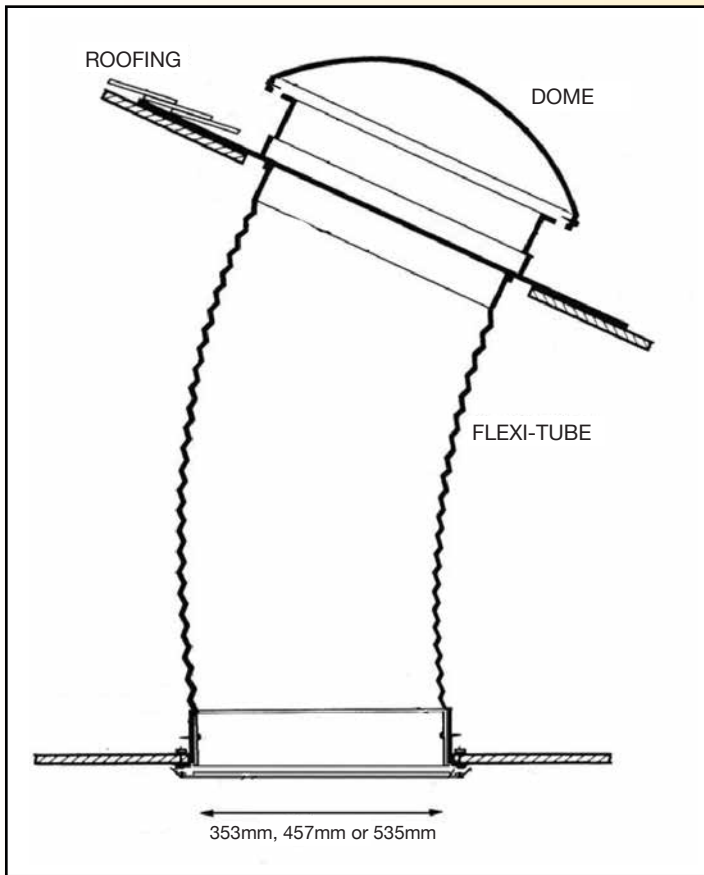
Sky Tunnels are bought in either with a flat flashing to fit custom Orb (corrugate) or with a flashing that fits a tile roof, boxes are marked accordingly, please ensure you are aware of the customers roof type before ORDERING.

***Installing a Sky Tunnel ensures that you are making an environmental choice and utilising renewable energy.***

***You will not only be saving money, but will be helping to reduce the consumption of our environments precious resources.***

***The natural light will also improve any internal living or working space, making it a happier and healthier environment to live or work in.***

**[www.skytunnel.co.nz](http://www.skytunnel.co.nz)**



## COMPONENTS

- UV Stabilised grade one acrylic dome
- Screws to fasten dome
- ASA polymer vent/solid tabs
- ASA polymer breather frame
- Construction grade polyurethane seal
- 0.7mm malleable, marine grade aluminium soaker tray
- White ABS thermoplastic locking ring
- White ABS thermoplastic ceiling frame
- 3mm texture acrylic diffusers
- White ABS thermoplastic diffuser holder
- Screws to fasten Flexi-Tube™ locking ring to ceiling
- Screws to fasten ceiling frame (lock lug/cover cap included)
- Magnet
- 3mm x 6mm foam seal
- 0.45mm 430BA stainless steel reflective ring
- PVC duct tape
- 2m Flexi-Tube™

## FLEXI-TUBE™ DUCTING SYSTEM

Flexi-tube™ suits most applications up to 2m in length. Installation of Flexi-tube™ is very easy, and the performance is outstanding.

Flexibility allows the installation of the roof parts and ceiling parts to be off centre, so avoiding any obstructions in the attic space is simple.

With up to 86% reflectivity, Flexi-tube™ is a cost effective and reliable component in the Sky Tunnel™ Kit.

Warranty Terms and Conditions Apply.

Your approved reseller is:

Distributed in New Zealand by:

**ALSYNITE®**

[www.alsynite.co.nz](http://www.alsynite.co.nz)

0800 257 964

\*The Sky Tunnel™ is only available in mill finish – the Sky Tunnel™ tray in the installation example on this flyer is powdercoated. The Sky Tunnel™ tray can be powdercoated - powdercoating is not a service provided by Alsynite.